



# SUPRA MB 24 DL

24V

Automatic road barrier for booms of up to 5 metres.

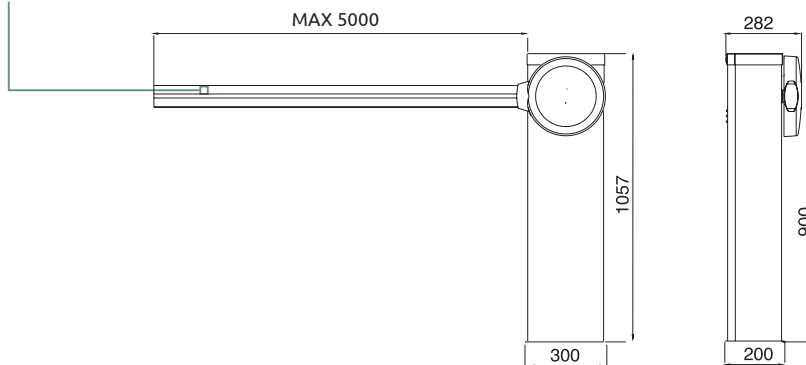
● = 24V DC

Code	Booms	Motor	Description	Pcs. Pallet
<span style="color: blue;">●</span> SUPRA MB 24 DL	from 3 to 5 m Max	24V DC	Cabinet in red painted metal. Irreversible electromechanical gear motor housed in a galvanised steel box. Model equipped with encoder, electromechanical limit switches and mechanical stops for opening and closing and control unit (RG1RE 24 DL).	8/12

	SUPRA MB24	FAST R2	SUE1	SUC4	SUSPL	SUC1	SUC5	SUC2	SUC3	SUM1	SUM2	SUM3	SUB3	SUB4	SUB5	SUB3 Jointed
SETUP SUPRA MB24 3M Jointed	1	2		4		6	7			10						16
SETUP SUPRA MB24 3MSC * DL	1	2		4		6	7			10			13			
SETUP SUPRA MB24 4MSC * DL	1	2		4		6	7				11				14	
SETUP SUPRA MB24 5MSC * DL	1	2		4		6	7					12				15

Automatic road barrier for booms of up to 5 m.

dimensions



**FAST R2** ● 2



Radio receiver with two channels on 433.92 MHz frequency. Coding Rolling code/Autocode. Plug-in module. (1 Pc./Pack)

**SUE1** ● 3



Foundation plate with anchors (1 Pc./Pack)

**SUC4** ● 4



Reflector strips (18 Pcs./Pack)

**SUSPL** ● 5



Barrier light (1 Pc./Pack)

**SUC1** ● 6



Rubber protection, L= 10 metres with accessory kit (1 Pc./Pack)

**SUC5** ● 7



Protection strip L=2 metres (10 Metres/Pack)

**SUC2** ● 8



LED strip for SUB boom

**SUC3** ● 9



Connection kit for luminous cord

# SUPRA MB 24 DL

24V

## Technical specifications

	SUPRA MB 24
Max. boom length (m)	5
Mains power supply (V)	230V AC
Motor power supply (V)	24V
Power (W)	150
Torque (Nm)	150
Operating T° (°C Min/Max.)	- 20 +70
Protection class (IP)	44
Work intermittence (%)	80
Opening time	2-6

### Parameters for selecting the balancing springs.

	3 m	4 m	5 m
Simple boom + rubber protection	SUM1	SUM1	SUM2
Grooved boom + rubber protection	SUM1	SUM2	SUM3
Grooved boom + rubber protection + luminous cord	SUM2	SUM3	SUM3
Grooved boom + rubber protection + mobile support	SUM2	SUM3	SUM3
Grooved boom + rubber protection + luminous cord + mobile support	SUM2	SUM3	SUM3

**NB.** The combinations shown in the table are purely for illustrative purposes and are just a few of the most common types of installation. For anything not covered in the table above, please contact the **LIFE** advisory and support service.

SUM1 10



Balancing spring (1 Pc./Pack)

SUM2 11



Balancing spring (1 Pc./Pack)

SUM3 12



Balancing spring (1 Pc./Pack)

SUB3 13



Grooved boom L= 3.2 metres (1 Pc./Pack)

SUB4 14



Grooved boom L= 4.2 metres (1 Pc./Pack)

SUB5 15



Grooved boom L= 5.2 metres (1 Pc./Pack)

SUB3 jointed 16



Complete kit for grooved, jointed boom, for SUPRA MB\* L= 3 metres (1 Pc./Pack)

SUD1



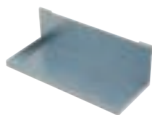
Fixed support for SUA and SUB booms (1 Pc./Pack)

SUD2



Fixed support for SUB boom (1 Pc./Pack)

SUS1



Support bracket for two AGE 12 batteries (1 Pc./Pack)

AGECH XL



Supplementary circuit for charging battery on control units (1 Pc./Pack)

AGE 12



Battery 12V - 2.3 Ah (2 Pcs./Pack)